



## F58/911 - IMC SP25 Floor-mounted Potato Peeler - 3 Phase - H 1080 mm - 0.75 kW

Compact and flexible, the SP25 (3PH) peeler has a high output and small footprint, making it ideal for medium and large operations with three-phase power.

- ✓ Able to peel 25kg of potatoes in 2 minutes - up to 513kg per hour
- ✓ Upright design with small footprint, ideal for medium and large operations
- ✓ Low pedestal for quick and easy discharge of potatoes
- ✓ Lubricated, heavy-duty gearbox makes peeling operation smooth and reliable
- ✓ Dual position waste outlets and smooth cylinder base for quick, easy cleaning
- ✓ Long-lasting, rust-proof plate and replaceable liners for effective peeling
- ✓ Suitable for kitchens with three-phase power supply
- ✓ WRAS-approved Class A air-break and brass spray nozzle to prevent water escape

### Specifications

#### Summary

<b>Brand</b>	IMC
<b>Range</b>	SP Peeler
<b>Power Type</b>	Electric
<b>Unit Type</b>	Floor-mounted
<b>Available in UK Only</b>	No
<b>UK Warranty</b>	2 Years Parts and Labour Warranty
<b>Export Warranty</b>	Contact your local dealer
<b>Mounting</b>	Floor-mounted
<b>GTIN</b>	5056105198826

#### Power and Performance

<b>Total Power kW</b>	0.75
<b>HP</b>	1
<b>IP Rating</b>	IP55

#### Key Specifications

<b>Operator Safety</b>	User Guide
<b>Timer</b>	Yes
<b>Drain Location</b>	Right or left
<b>WRAS Approved</b>	WRAS Compliant
<b>Airbreak</b>	Yes

#### Capacity

<b>Capacity Kg per Hour</b>	513
-----------------------------	-----

#### Weights and Dimensions

<b>Unit Height (External) mm</b>	1057
<b>Unit Width (External) mm</b>	602
<b>Unit Depth (External) mm</b>	727
<b>Net Weight Kg</b>	66.5

#### Supply Connections

<b>Requires Installation</b>	Yes
<b>Requires Electrical Supply</b>	Yes
<b>UK 3 Pin Plug</b>	No
<b>Requires Hardwiring</b>	Yes
<b>Motor Rating Watts</b>	750
<b>Three Phase Amps</b>	2.1
<b>Three Phase Voltage</b>	400
<b>Water Connection Pressure Bar</b>	2.7-3.8 [40-55 psi]
<b>Drain Connection</b>	54mm
<b>Water Connection</b>	12mm

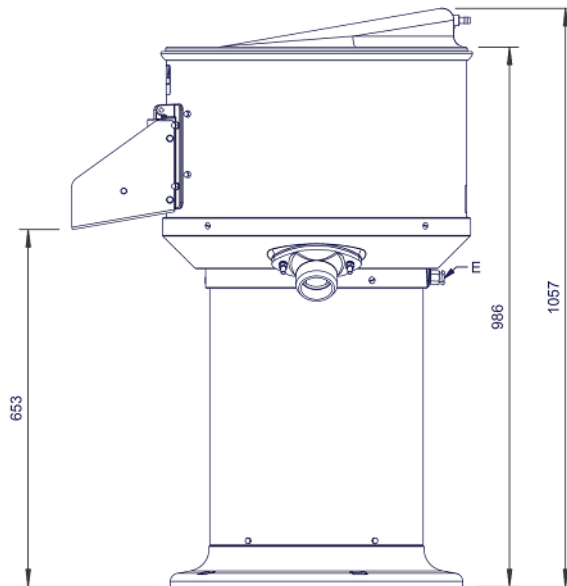
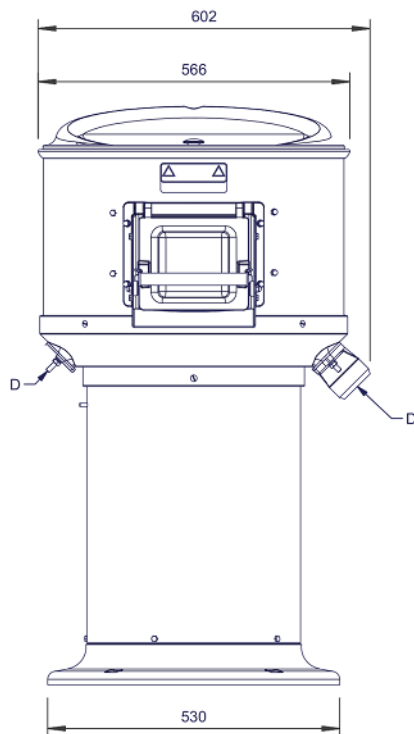
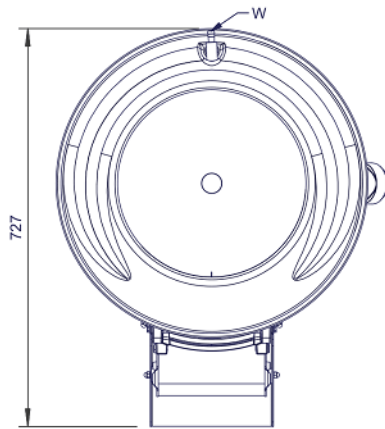
#### Shipping

<b>Packed Weight Kg</b>	78
<b>Packed Height cm</b>	155
<b>Packed Width cm</b>	65
<b>Packed Depth cm</b>	79

**Available Accessories**

- A29/003** Lid Retaining Strap for SP/VQ Potato Peeler
- S58/568** Filter Basket - Integral - for SP Potato Peeler
- S58/569** Interceptor Tank - for SP Potato Peeler [pedestal mounted/2" BSP]
- S58/570** Waste Ejector for SP Potato Peeler [2" BSP]
- S61/168** Stand for SP Potato Peeler

**Technical Picture**





**Lincat Limited**

Whisby Road,  
Lincoln, LN6 3QZ,  
United Kingdom

**Company No:** 2175448

A member company of



**Customer Care**

**Tel:** +44 1522 875500  
**Email:** care@lincat.co.uk

**Export Customers**

**Tel:** +44 1522 503250  
**Email:** export@lincat.co.uk

**Opening Hours**

**Monday – Friday:**  
8.30am – 5pm